

# ML-500

USER MANUAL



# ML-500

Model: ML-500

## Function

1 pcs LED lamp 50w Pure white lighting 6000K

1-15 Hz Strobe , open light and Off light at the moment

Level and Vertical slew range 540° / 270°

Level and Vertical chart speed can be AUTO ADJUST

six gobo additional white lighting

six color additional white lighting

## physical constants

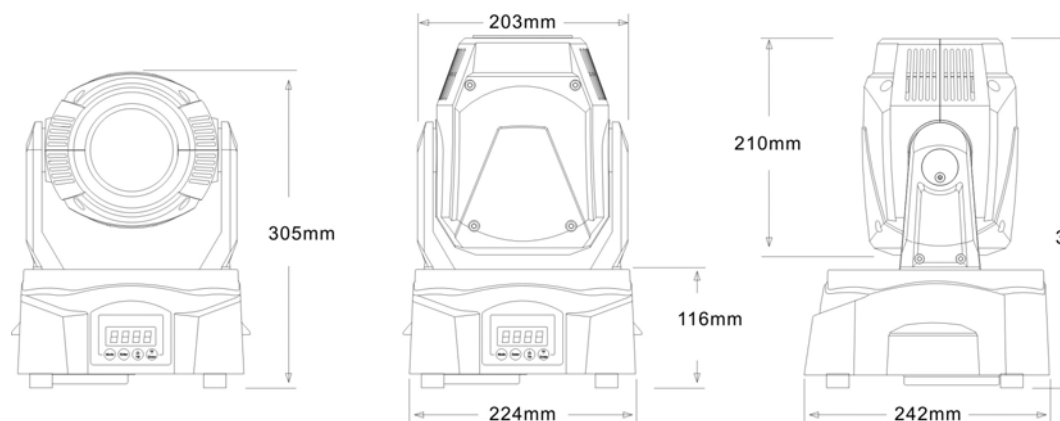
Lengths: 242mm

Width: 224mm

Height: 340mm

KG: 7.5kg

G.W: 8kg



Reference Schema

## DB Parameter

slow speed : about 30db

fast Speed :about 45db

light source

format: LED 50W

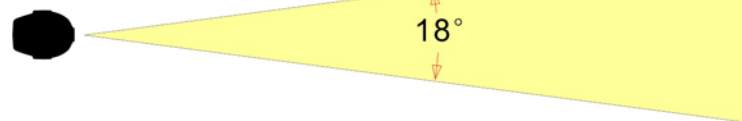
Color Temperature

average length of working life:20000 hour

Optical parameters

Beam angle : 18°

|                      |      |      |      |      |     |
|----------------------|------|------|------|------|-----|
| Distance (m)         | 1    | 2    | 3    | 4    | 4.5 |
| Cutoff $\varnothing$ | 0.26 | 0.53 | 0.78 | 1.05 | 1.2 |
| Lux                  | 300  |      |      |      |     |



Reference Schema

DMX channels :10 CH

Functions and address code settings , with LED Functions and address code settings

16 bit control: The level of rotation, Vertical rotation

Rotation control: Position tracking and Automatic position to correct

communications protocol: USITT DMX512/1990

structure

Color :black or white

Shell: Synthetic fiber-reinforced plastics with flame retardants

grade of protection

Gobo piece

Φ17.5, Metal pattern 3 piece

Φ17.5, Glass 3 piece

Outside Diameter : 20.5 , inside diameter : 14.5

Set up

Set up point: one piece installing support

Set up directions: any direction

Minimum distance between objects being irradiated: 1.2 m

Minimum distance with the inflammable : 0.5 m

Connection

input of ac power supply: 1.5mpower wire, With plug

DMXD igital Input/ Output:3 Needle take a lockb XLR connector

electrical data

alternating current : 90 - 240 V , 50/60 Hz 130W

User adjustable voltage and frequency settings

power fuse: 2A(Slow-melt-type)

#### Temperature

Thermal: forced air cooling(With temperature protection)

Maximum ambient temperature: 40°C

Maximum surface temperature: 80°C

#### Certification

EUS Safety Certification: EN 60598-1, EN 60598-2-17

EU EMC 认证 : EN 55015, EN 55103-1, EN 61547

EU EMC Certification: EN 55015, EN 55103-1, EN 61547

#### Getrandomitem

1 Article power wire

1 Deputy Head XLR

1 piece installing support

2 pieces Quick Lock

user reference

#### optional accessories

Light hook

safety rope

Pairs Lamp freight case